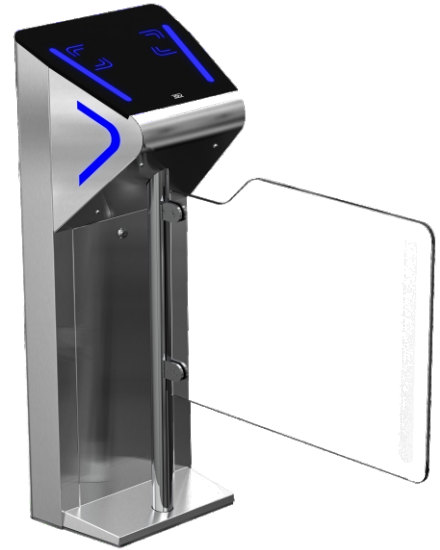


SWING GATES ONYX-GS

Ergonomic design of the servo-driven gate Onyx-GS with smooth curves of the case is an excellent solution for installation together with tripod turnstiles of the Onyx series. Access control in both directions is carried out by turning the leaf in 90° automatically by BMDrive® mechanism (no need to push).

The gate is blocked in the closed position of the mechanism. Onyx-GS has glass leaf. Sizes of the leaf may be increased for access of carts and oversized loads. When the power goes off, the gate unlocks to free the passage (fail-safe), that's why such solution is appropriate for emergency exit.



ERGONOMIC TURNSTILE-GATE WILL BE A GREAT ADDITION OF THE ONYX SERIES TURNSTILES-TRIPODS LINE



650-900
mm
PASSAGE WIDTH



30
pers/min
SINGLE ACCESS FLOW RATE



60
pers/min
FREE ACCESS FLOW RATE



1,5-2,5
c
OPENING TIME



IP 41
PROTECTIVE LEVEL



BI-DIRECTIONAL



ACCESS CONTROL SYSTEM



MANUAL CONTROL

Advantages

- BMDrive® - Reliable mechanism with powerful BLDC gear motor ensures long term maintenance-free operation ;
- High speed of leaf opening / closing within 1,8 sec provides high flow rate;
- The safety function of locking system BMDrive® prevents the glass leaf breaking in case of vandalism, and also automatically restores the full operation of turnstile after excessive loads on the leaf;
- Fast and durable leaf locking system ToothLock® works in two modes HiSecurity and LowNoise;
- LowNoise mode makes the turnstile operation almost silent;
- The smart self-diagnosing system of mechanism BMDrive® automatically analyses the system, detects critical malfunctions, and records error log and warnings;
- The BMDrive® mechanism controller is equipped with an OLED display for easy setup and configuration without special programmers, also a full configuration and diagnostics is possible via a USB connector by using a service software for Windows OS;
- Elegant cabinets equipped with integrated LED lighting: - RFIDLights® - of card reader area;
- Ergonomical design with stylish lines of swing gate perfectly combined with TiSO tripod turnstiles of the Onyx series;
- Successful combination of affordable price and high quality;
- Low power consumption;
- Supply of backup battery power connection;
- Can be integrated with any type of access control systems;
- Place for RFID readers under the top glass;
- Can be mounted on a mobile platform;
- Wired remote control panel in standard kit;
- In case of power failure, leaves could be opened manually (fail-safe);
- Wide passage solution for disabled and trolley access that can be combined with narrow passage;

Options

- Any access control systems upon request (e.g. RFID / Proximity / BioMetric readers, coin acceptor, push button, barcode and QR-code reader);
- Passage counter;
- Wireless remote control;
- Jumping over the arm alarm / top lid alarm;
- Passage simulation alarm;
- Crawling under the gate alarm;
- Automatic opening when power goes off;
- Passage width may vary upon client's request;
- Ramped base mobile platform;
- OEM / Logo application;



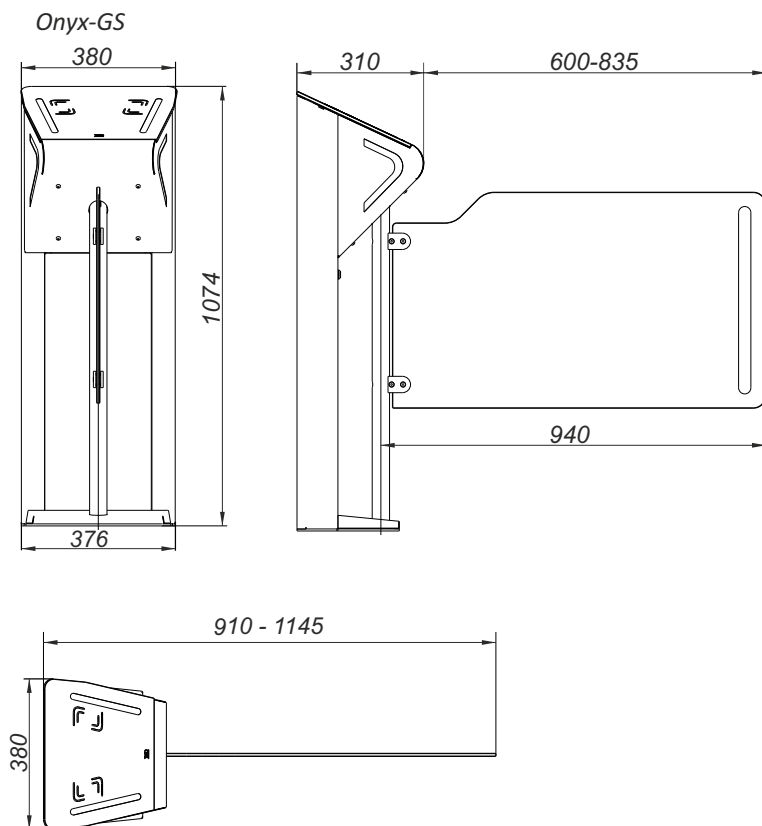
www.tiso.global
+380 (44) 291-21-11
e-mail: sales@tiso.global



Technical Specifications:

Model	Onyx-GS
Cabinet width	380 mm
Cabinet length	312 mm
Cabinet height	1075 mm
Passage width	650 - 900 mm
Opening/closing time, max	1,5-2,5 sec
Swing gate type	glass swing gate
Mechanism	BMDrive® servodrive (BLDC)
Blocking system	ToothLock®
MCBF	10 000 000 cycles
Electrical Specifications:	
Maximum power consumption	60 W/pass
Voltage	From the AC (100-240)V, 50/60Hz; from a DC source 12 V
Indication	dynamic RGB LED, RFIDLights®
Materials:	
Standard housing	Brushed SS AISI 304
Available housing	- Brushed SS AISI 316; Polished SS AISI 304; Polished SS AISI 316 - Powder coated RAL
Top lid:	- solid glass top

Overall dimensions:



Installation areas:

- Governmental Instuons
- Military Bases
- Nuclear Power Plants
- Producon sites (Industrial Plants)
- Commercial areas
- Financial instuons
- Airport Premises
- Business (Office) Centers
- Hotels
- Sport Complexes
- Recreaon areas
- Urban areas
- Educaon Instuons and others

